

Pelltech PK 15 Combi

Wholly integrated design that combines a pellet burner, boiler and container into a new way of convenient heating. PK 15 Combi is ideal for small households that require efficient, sustainable as well as low maintenance heat and hot water production. This combi boiler has an integrated ash cyclon for catching all potential fine particles and for providing clean flue gases. Smart design allows the boiler to be used as a support for an existing heat pump. The PK 15 offers integrated home control with heating circuit regulation.

PK 15 COMBI INTEGRATES:

- Pellet hopper with sliding hatch
- Auger with safety hose
- Vertical flame pellet burner
- 3-pass boiler with vertical tubes
- Flue gas fan and draught control
- Control panel for burner, boiler and home regulation
- Overpressure safety valve
- Expansion tank



DOMESTIC

Residential households and apartments

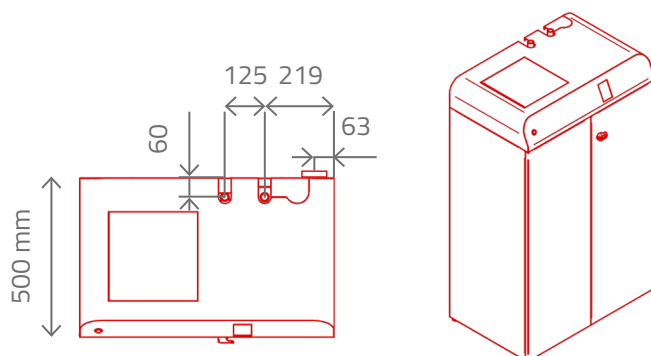
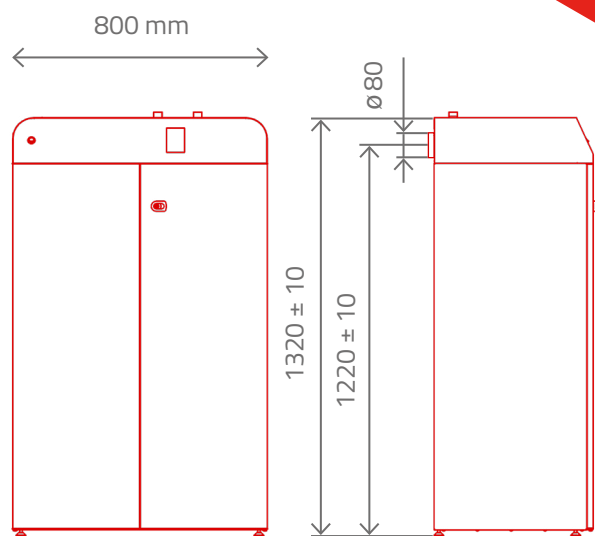


pelltech

Fuel	wood pellets 6 mm	
Rated thermal output	kW	15
Minimum thermal load for continuous operation	kW	4
Maximum fuel consumption	kg/h	3.4
Pellet storage capacity	l	170
Boiler water capacity	l	50.3
Expansion tank capacity	l	8
Maximum operating pressure	bar	3
Boiler flow and return connection	Ø	G ¾"
Flue gas outlet outer diameter	mm	80
Flue gas temp. at rated output	°C	130
Standard efficiency at 70/55 °C	%	94
Mains supply	230V, 50Hz, 3A	
Electrical power consumption		
-at ignition	W	390
-at maximum output	W	60
-standby (without pumps)	W	3
Overall dimensions (W/D/H)	mm	800/500/1320
Dry weight	kg	155

PK 15 COMBI HOME CONTROL SYSTEM REGULATES:

- Up to 2 regulation valves for heating circuits
- Up to 4 pumps for heating circuits, hot water and circulation
- Up to 7 wired temperature sensors
- Wireless sensors for room and outdoor temperature measuring
- Wireless or wired network connection
- Second heat source control



Pelltech OÜ
Sära tee 3
Peetri 75312
Estonia

www.pelltech.eu
info@pelltech.eu
tel. +372 677 5277